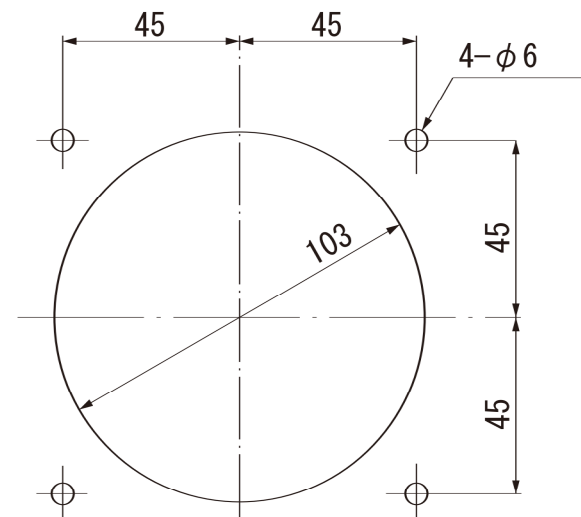


●パネルカット



(型名□内の記号)動作原理記号
 M:可動コイル形、C:整流形、A:実効値応答形

単位:mm

TSURUGA ELECTRIC CORPORATION. All Rights Reserved.

REVISED 2010.10_kikaku	DATE	APPROVED BY	TITLE T□W-4B
	SCALE	CHECKED BY	DRAWING No.
	DESIGNED BY	DRAWN BY	
TSURUGA ELECTRIC CORPORATION			